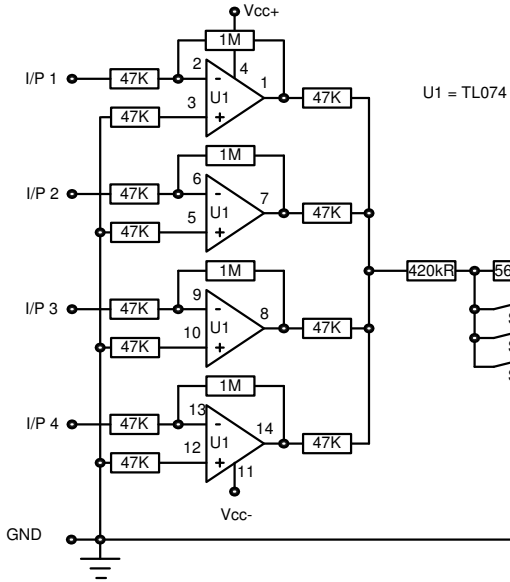
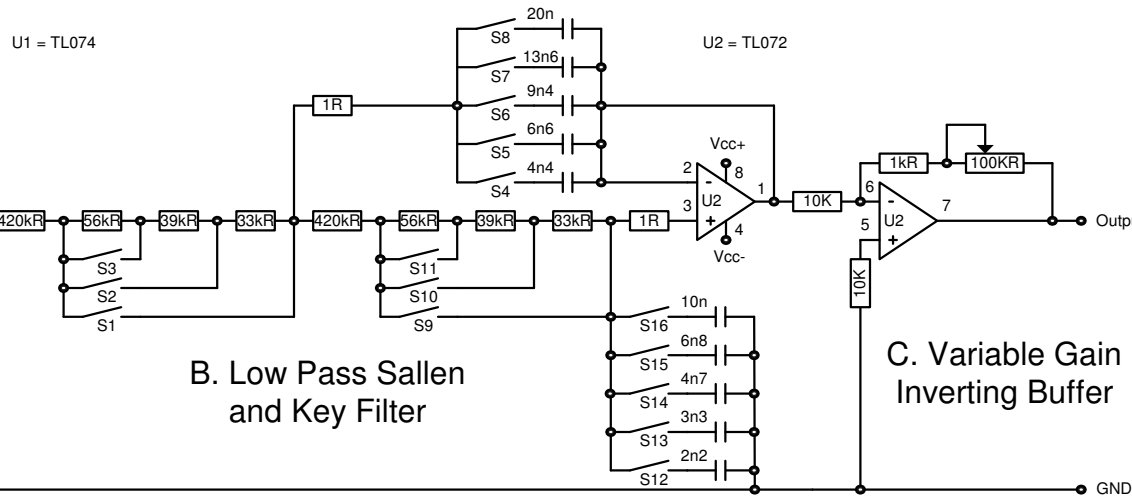


A. Inverting Buffer / Mixer



B. Low Pass Sallen and Key Filter



C. Variable Gain Inverting Buffer

